

060-1200 RV Screen Door Latch



This product is designed to secure the screen door on recreational vehicle entrance doors including motor homes and travel trailers. It features a sturdy aluminum die cast construction and a low profile design that works with a variety of doors.

FEATURES/BENEFITS:

- Dual function -- latch secures the screen door to the exterior door as well as the door jamb
- Allows for one hand operation with positive slam action latching function
- Low profile design will work with a wide variety of doors

Global Locations:

TriMark Corporation
500 Bailey Avenue
P.O. Box 350
New Hampton, Iowa 50659
United States
Tel: 641-394-3188
Fax: 641-394-2392
1-800-447-0343
www.trimarkcorp.com

TriMark Europe
Cedar Court
Walker road
Bardon Hill
Coalville LE67 1TU
United Kingdom
Tel: +44(0)1530 512460
Fax: +44(0)1530 512461
www.trimarkeu.com

TriMark (Xuzhou)
Building A5 Jingwu Road
Xuzhou Economic
Development Zone
Xuzhou, Jiangsu
221004 PR China
Tel: +86 516 8773 0018
Fax: +86 516 8773 0058
www.trimarkcn.com



TriMark. Interactive. Product. Selector



AVAILABLE:

- Right hand version
- Door catch and strike plate are included for a total system solution

MATERIAL:

- Sturdy die cast aluminum alloy latch components
- Non-corrosive stainless steel spring
- Door strike and keeper - engineered plastic

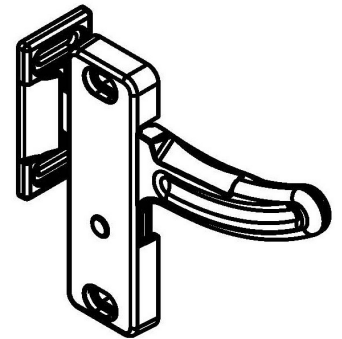
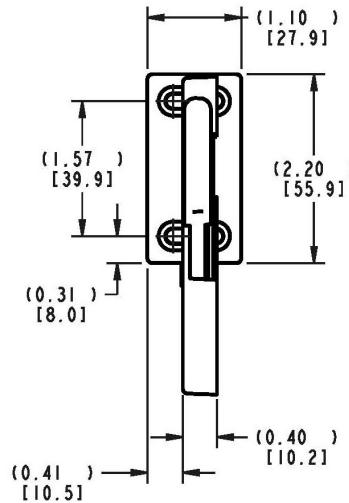
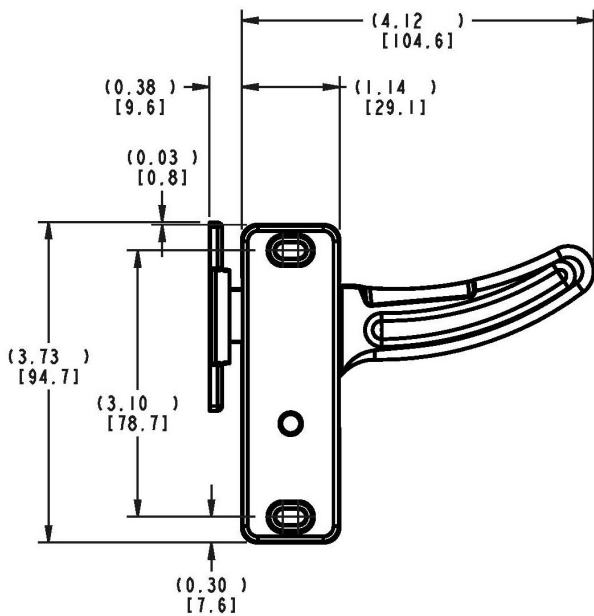
FINISH:

- Black powder coated

INSTALLATION

- Easy to install with (6) #8 fasteners (included)

Individual part dimensions are for reference only. Refer to individual part drawings for complete dimensions, specifications, and installation procedures. Engineering assistance and application drawings are available.



For more information visit www.trimarkcorp.com

